

Canon imageCLASS® MF7470

DUPLEX COPIER | LASER PRINTER | COLOR NETWORK SCANNER
SUPER G3 FAX | NETWORK CAPABILITIES



A Laser Multifunction for a Small Office

- Up to 25 pages-per-minute laser output
- Duplex versatility — automatic two-sided copying, printing, faxing, and color network scanning
- 11" x 17" platen
- 1/4 VGA Touch Screen Panel
- PCL 5e/6 language support
- Built-in Ethernet port for printing, PC faxing, and color network scanning
- 33.6 Kbps Super G3 fax with up to 1,000 pages of reception memory¹
- 2 x 250-sheet cassettes plus 80-sheet multipurpose tray
- 50-sheet Automatic Document Feeder²
- USB 2.0 Hi-Speed³ for optimal performance
- Single Cartridge System

Product Specifications

Copier Specifications

Duplex Copy/Bind Type	1 to 1, 2 to 1, 2 to 2/Book, Calendar
Copier Type	Desktop, Monochrome Laser
Copy Speed (sheets per minute)	Up to 25 cpm (A4)
Copy Resolution	Up to 600 x 600 dpi; 1200 x 600 dpi quality
Halftones	256 levels
Warm-up Time	26 seconds from Power ON
First Copy Time	6.9 seconds
Paper Source(s)	2 x 250-sheet cassettes plus 80-sheet multipurpose tray
Paper Weight	18 to 24 lb. (cassette); 18 to 32 lb. (multipurpose tray)
Paper Output	Up to 250 sheets (face down)
Reduction/Enlargement	50%, 64%, 73%, 78%/121%, 129%, 200%
Zoom	50% - 200% in 1% increments
Document Feeder	50-sheet ²
Copy Size	Platen: Up to 11.75" x 17"; ADF: Up to 11" x 17"
Copy Features	2 in 1, 4 in 1, Collate
Copy Memory	256MB (shared)

Printer Specifications

Duplex Print	Yes
Printer Type	Monochrome Laser
Print Speed (sheets per minute)	Up to 25 ppm (A4)
Print Resolution	Up to 1200 x 1200 dpi; 1200 x 1200 dpi quality
Print Language(s)	PCL5e, PCL6, and Canon UFR II-LT
Print Memory	256MB (shared)
System Memory (on board)	256MB (shared)

Network Scan Specifications

Duplex Scan	Yes
Scanner Type	Color Contact Image Sensor (CIS)
Scan Resolution	Up to 300 x 300 dpi
Color Depth	24-bit
Document Size	Platen: Up to 11.75" x 17"; ADF: Up to 11" x 17"
Output File Formats	JPEG, PDF, TIFF

Fax/PC Fax Specifications

Duplex Fax	Yes (transmission/reception)
Modem Speed	Up to 33.6 Kbps (Super G3)
Fax Resolution	Up to 203 x 391 dpi (super fine)
Memory Capacity	Up to 1,000 pages
Speed Dials	200 one-touch/300 coded dials
Receive Modes	Fax only, Manual, Answering
Fax Features	Relay, Delayed TX, Dual Access
Memory Backup	Yes (1 hour)

Interface/Software

Standard Interface(s)	USB 2.0 Hi-Speed ³ ; Internal Ethernet (10/100 Base T)
Network Functions	Print, PC Fax and Scan
Bundled Software	Canon Printer Driver, Remote UI, NetSPOT Device Installer, NetSPOT Console
OS Compatibility	Windows® Vista™, XP, 2000, Me, 98 and Mac® OS X 10.2.8 & up

General Specifications

Dimensions	24.5"(W) x 26.3"(D) x 29.8"(H);
Weight	128 lbs.
Power Consumption	1,425W (max), 3.5W (Energy Saver Mode)
Replacement Consumable	Canon Cartridge 105
Warranty	1 year limited warranty with on-site service ⁴ (Extended warranty available)

Features and specifications are subject to change without notice.

1 Based on ITU-T #1 Chart (standard mode).

2 Based on 20 lb. paper.

3 USB 2.0 Hi-Speed performance requires Windows®XP Service Pack 1 or Windows®2000 Service Pack 4 with pre-installed USB 2.0 port.

4 Warranty program is subject to certain conditions and restrictions. See the warranty card for full details.E





Canon
image*ANYWARE*

Canon imageCLASS® MF7470

DUPLEX COPIER | LASER PRINTER | COLOR NETWORK SCANNER
SUPER G3 FAX | NETWORK CAPABILITIES



Ordering Information

MODEL NO.	DESCRIPTION	ITEM NO.	UPC CODE
imageCLASS® MF7470	Duplex Copier Laser Printer Color Network Scanner Super G3 Fax Network Capabilities	2237B007AA	 0 13803 08631 7
ACCESSORIES			
Cartridge 105 (yields 10,000 pages based on 5% coverage)	Toner Cartridge	0265B001AA	 0 13803 05715 7
imageCLASS®MF7400 Cabinet	Cabinet	5709A010AA	 6 60685 00392 7
imageCLASS® MF7470 Carepak	2 Year On-Site Carepak	6521A035AA	 6 60685 00384 2

Pallet Information

ORIGIN

Country of origin China

PRODUCT INFORMATION

Individual unit dimensions (w/attachments) 24.5"(W) x 26.3"(D) x 29.8"(H)
Weight of individual box (pallet and box)* 160 lbs.
Weight of individual unit (w/attachments) 128 lbs.

PALLET INFORMATION

Number of boxes per pallet 1
Pallet dimensions (pallet and box)* 29.8"(W) x 33.5"(D) x 38.9"(H)
Pallet weight (pallet and box)* 160 lbs.

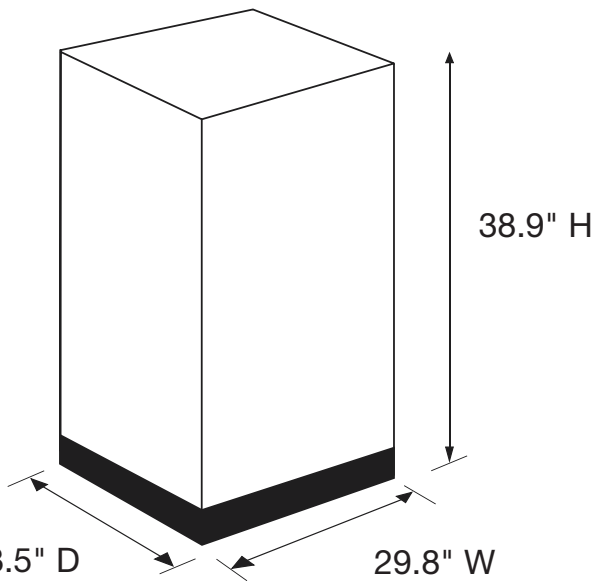
DATES

Availability December 2007

WHAT'S IN THE BOX

MF7470	Cartridge 105
Setup Instructions	Manuals
Canon Drivers	NetSPOT Device Installer
NetSPOT Console	Power Cord
RJ-11 Fax Cord	Warranty Card
Registration Card	

* Pallet and box are attached, not two separate units.



1 box per pallet



Canon

image*ANYWARE*

©2007 Canon U.S.A., Inc. Canon and imageCLASS are registered trademarks of Canon Inc. The Super G3 logo is a trademark of Canon Inc. imageANYWARE is a trademark of Canon U.S.A., Inc. Microsoft, Windows, the Windows logo and Windows Vista are either trademarks or registered trademarks of Microsoft Corporation in the United States and/or other countries. Mac and the Mac logo are trademarks of Apple Computer, Inc., registered in the United States and other countries. All other product and brand names are trademarks of their respective owners. Specifications are subject to change without notice. As an ENERGY STAR partner, Canon U.S.A., Inc. has determined that this product meets the ENERGY STAR guidelines for energy efficiency. The limited warranty given by Canon U.S.A., Inc. is for Canon imageCLASS MF7470 model purchased and used in the United States.